



GAI-TRONICS® CORPORATION
A HUBBELL COMPANY

SONIC ALARM™ Speaker Pole Mounting Bracket Kit

MODEL 12537-001

Confidentiality Notice

This manual is provided solely as an operational, installation, and maintenance guide and contains sensitive business and technical information that is confidential and proprietary to GAI-Tronics. GAI-Tronics retains all intellectual property and other rights in or to the information contained herein, and such information may only be used in connection with the operation of your GAI-Tronics product or system. This manual may not be disclosed in any form, in whole or in part, directly or indirectly, to any third party.

General Information

This kit is intended for the mounting of one or two speaker horns with 120° coverage on a single pole. A single horn can be mounted, or two horns can be stacked vertically and mounted as a unit to the pole. The kit includes the following components:

Qty.	Description	Item No.
2	Mounting bracket	1
2	Speaker spacer bracket	2
2	Support bracket	3
12	Screw, hex head, 1/4-20 thread	4
24	Washer, flat, 1/4-inch	5
12	Lock washer, 1/4-inch	6
12	Nut, hex, 1/4-20 thread	7

Items 8-11 are not supplied in this kit; however, they are referred to in these instructions.

1 or 2	Model 13340 Horn with U-bracket and mounting hardware	8
1 or 2	Driver	9
1	Wood pole (see Figure 4 for specifications)	10
10	Lag screw recommended. Size .50×2.0 inches long	11

NOTE: Mounting hardware is required based on the configuration of the horn stack. Use only hardware that has a hot dipped galvanized finish. Lock washers and/or locking nuts are required.

Installation

This kit may be used to install a variety of speaker mount configurations on a single pole. For some configurations, more than one kit is required. Additional hot dipped galvanized hardware may also be required.

Multiple bracket assemblies may be arranged horizontally around the pole and/or in vertical stacks. Up to three brackets assemblies, covering 120° each, can be located on a single level around a pole providing 360° of coverage. In addition, the speaker horn brackets may be stacked vertically at multiple levels on a single pole. The following are some examples of possible arrangements:

1. **360-1:** In this arrangement, three mounting bracket assemblies are arranged on a single level around the pole for 360° of coverage. The speaker horns can be mounted on both levels of each bracket assembly. This arrangement requires three Model 12537-001 kits. See Figure 1.

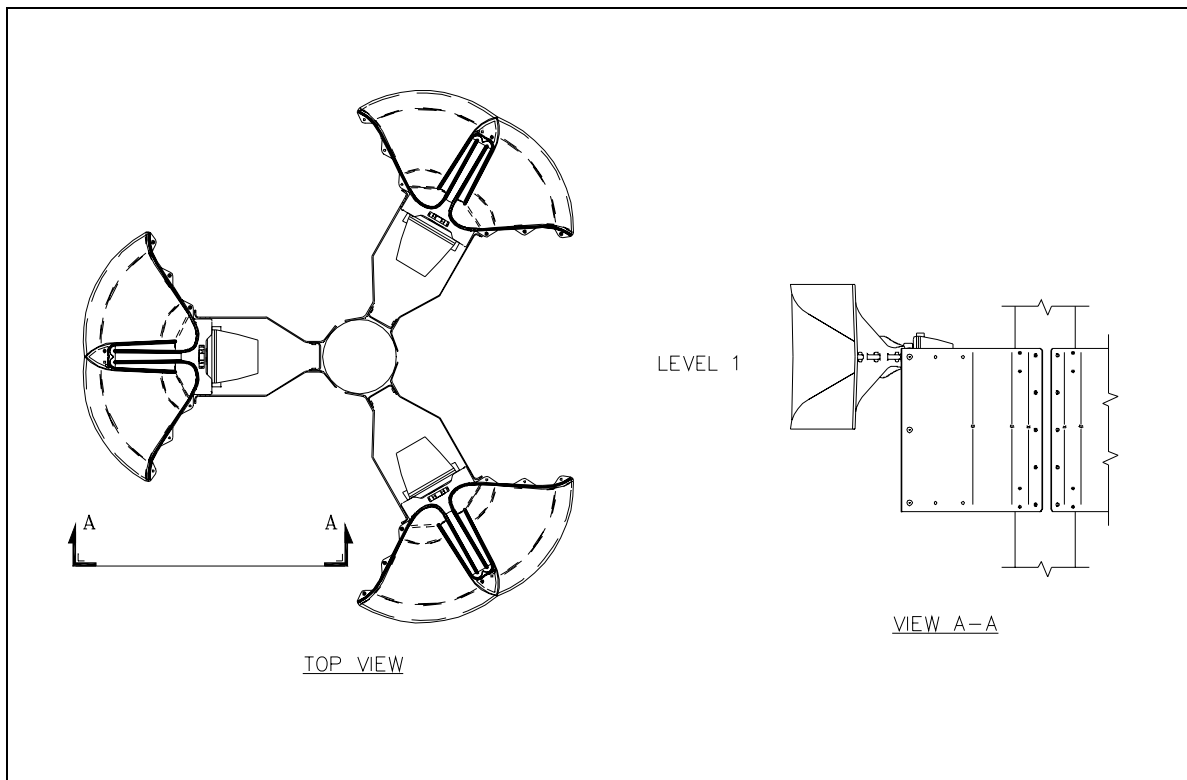


Figure 1. Arrangement 360-1

2. **240-2:** In this arrangement two kits are used to mount two speaker brackets side by side for 240° of coverage. Four speaker horns may be mounted in this manner by using both levels of the bracket assembly. This configuration requires two kits. See Figure 2.

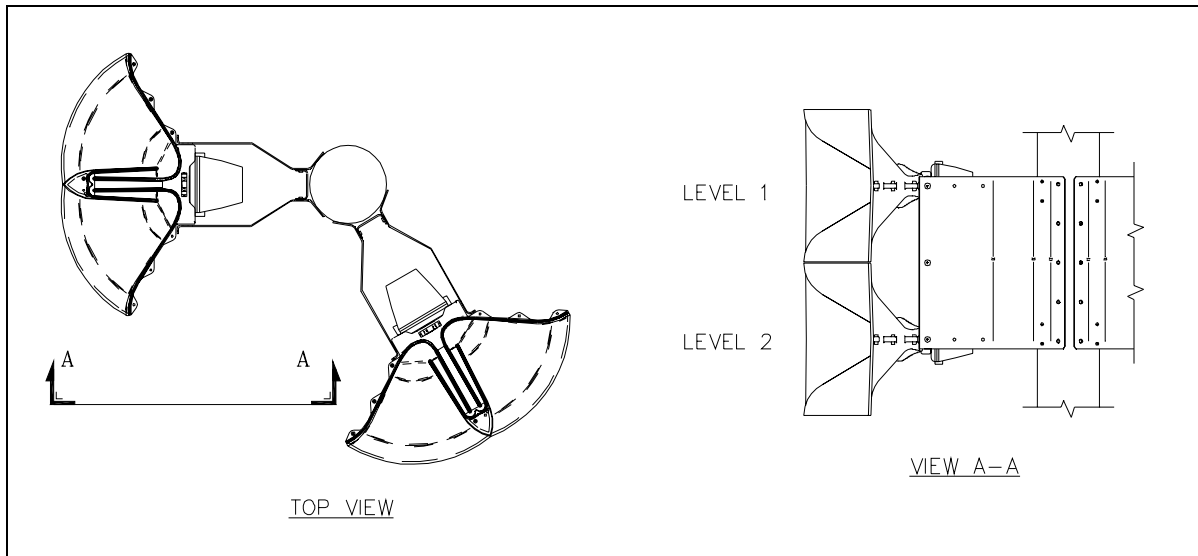


Figure 2. Arrangement 240-2

3. **360-4:** This is a 360° arrangement where four levels of speakers are mounted in two 2-unit stacks. This configuration requires the use of six kits. See Figure 3.

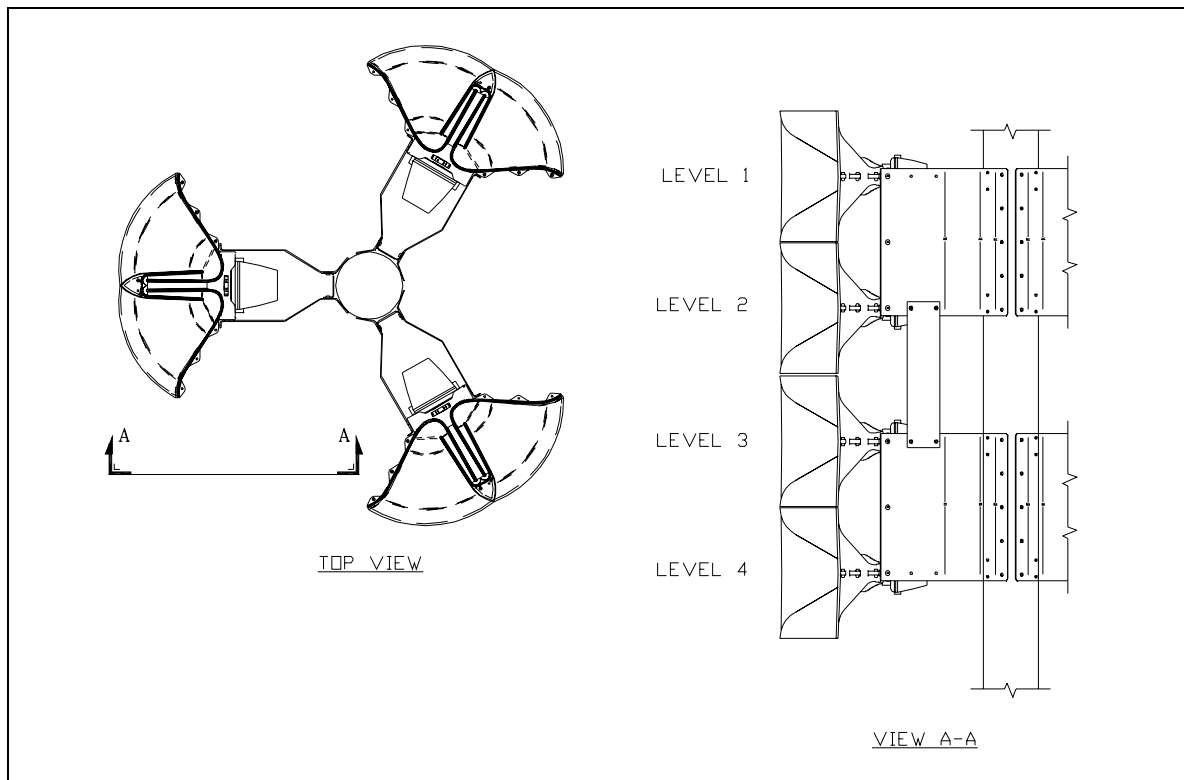


Figure 3. Arrangement 360-4.

The combinations and configurations possible are:

120-1	120-2	120-3	120-4
240-1	240-2	240-3	240-4
360-1	360-2	360-3	360-4

Installation of One to Six Horns at One or Two Levels on a Single Pole

1. For each kit being used, assemble the mounting brackets (Item No. 1) and speaker spacer brackets (Item No. 2) using the screws, washers, and nuts (Item Nos. 4 to 7) as shown in Figure 4. Discard the support brackets (Item No. 3) and any unused hardware.

NOTE: Depending on the personnel and hoist equipment available, the order of remaining steps may vary.

2. Mount the bracket assembly from step 1 to the pole. See Figure 4 and Figure 5. If multiple kits are being used, mount the additional assemblies.
3. Remove and discard the existing U-bracket from each horn (Item No. 8) to be mounted. Retain the U-bracket screws, split lock washers, and star washers. (U-bracket not shown.)
4. Secure the horn (Item No. 8) to the bracket assembly (see Figure 4 and Figure 5) using the hardware from step 3. Repeat the assembly for each horn.
5. Secure the driver (Item No. 9) to each horn, and wire it per the system requirements.

Installation of Three to 12 Horns at Three or More Levels on a Single Pole

The number of Model 12537-001 kits required depends on the mounting configuration selected. For example:

- Mounting 12 horns at four levels around the perimeter of the pole for 360° of coverage requires six kits. (See Figure 3.)
- Mounting six horns at three levels for 240° of coverage requires four kits.
- Mounting four horns at four levels for 120° of coverage requires two kits.

1. For each kit being used, assemble the mounting brackets (Item No. 1) and speaker spacer brackets (Item No. 2) using screws, washers, and nuts (Item Nos. 4 to 7). See Figure 4.
2. On one of the bracket assemblies, attach the support brackets (Item No. 3) using screws, washers, and nuts (Item Nos. 4 to 7) as shown in Figure 6.
3. Bolt both bracket assemblies together using screws, washers, and nuts (Item Nos. 4 to 7) as shown in Figure 6. Discard any unused hardware.
4. Repeat steps 2 and 3 for each additional stacked pair of kits to be installed.
5. Mount the bracket assemblies from step 1 to the pole. See Figure 4 and Figure 6.
6. Perform steps 3 through 5 in the “Installation of One to Six Horns” section above.

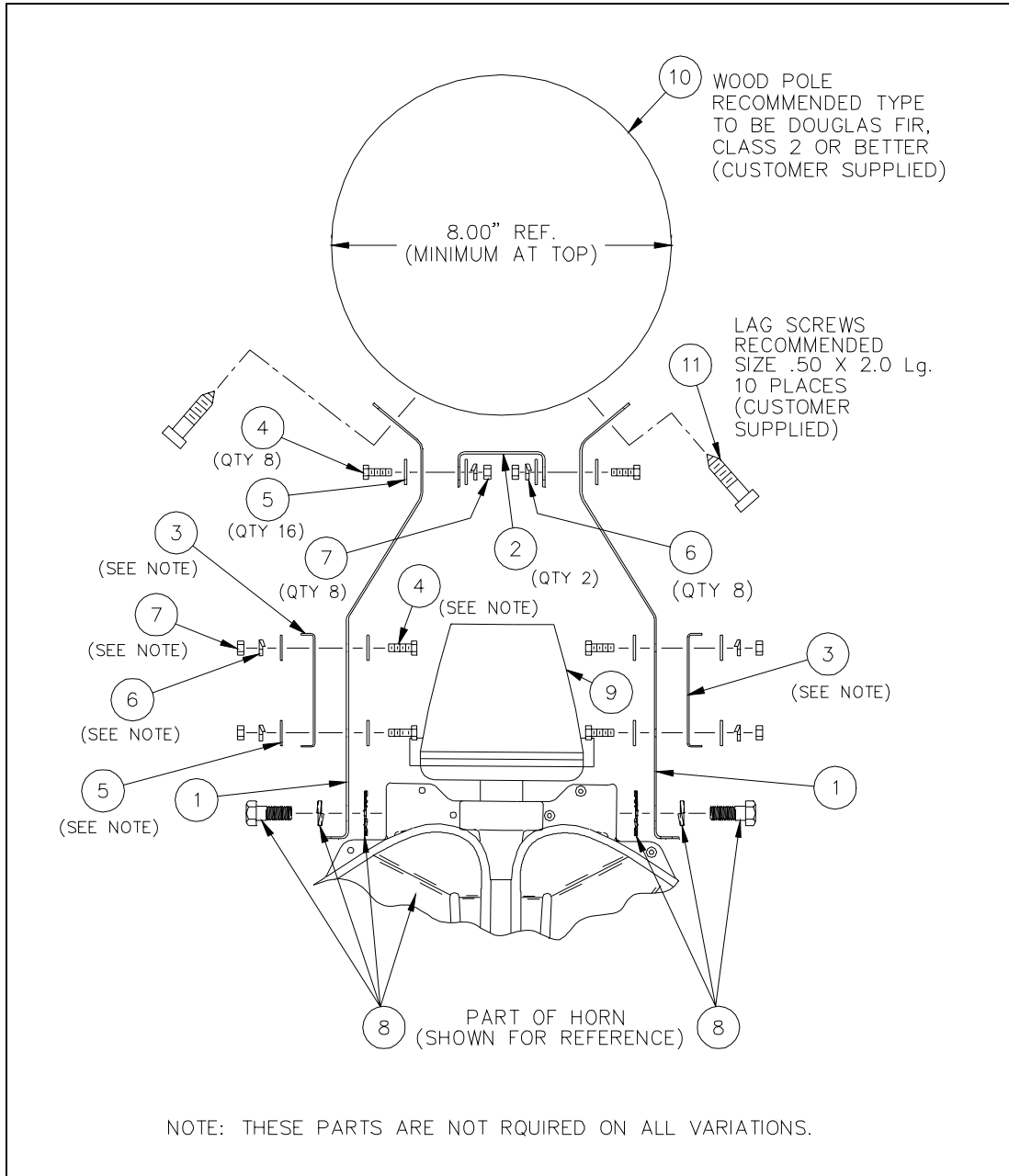


Figure 4. Installation of a single kit with 120° of coverage at two levels.

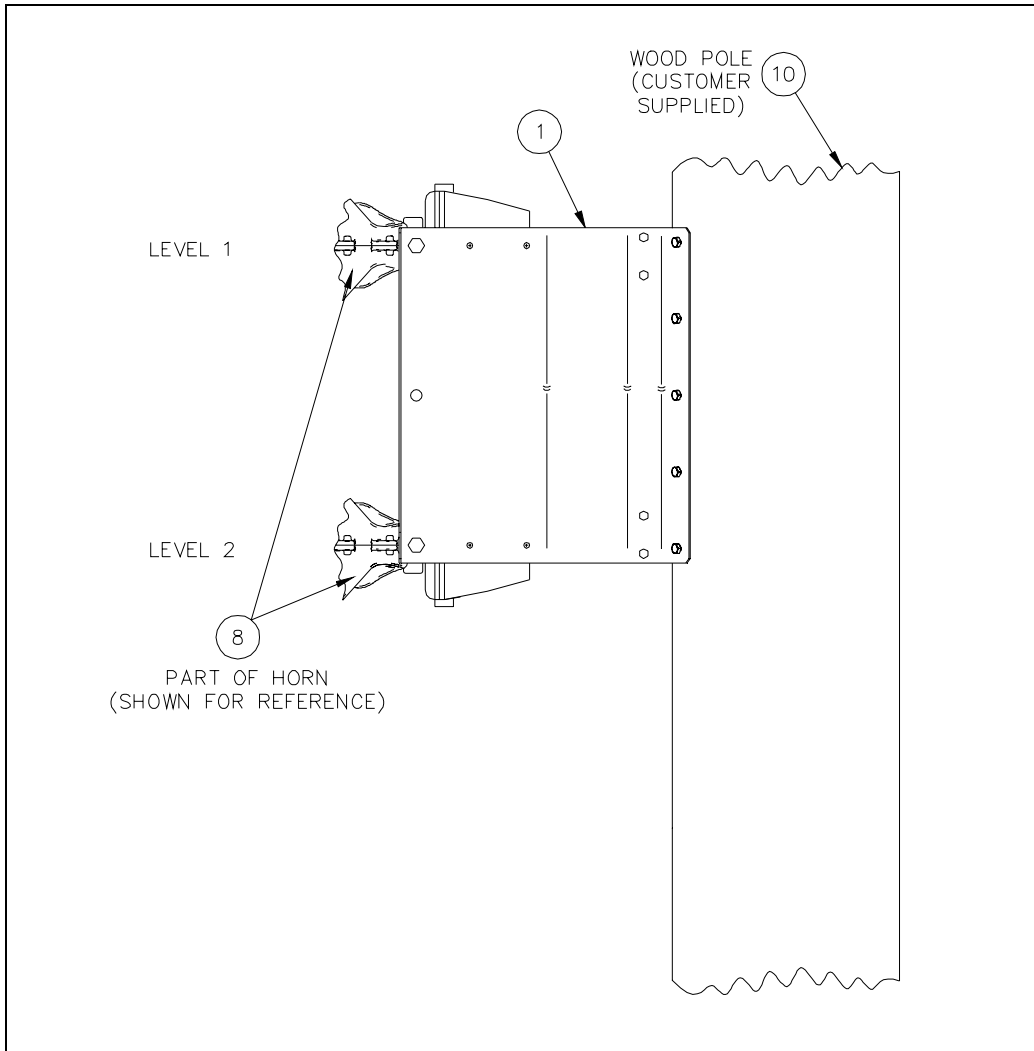


Figure 5. Showing the use of a single kit to stack one (or two) speaker horns.

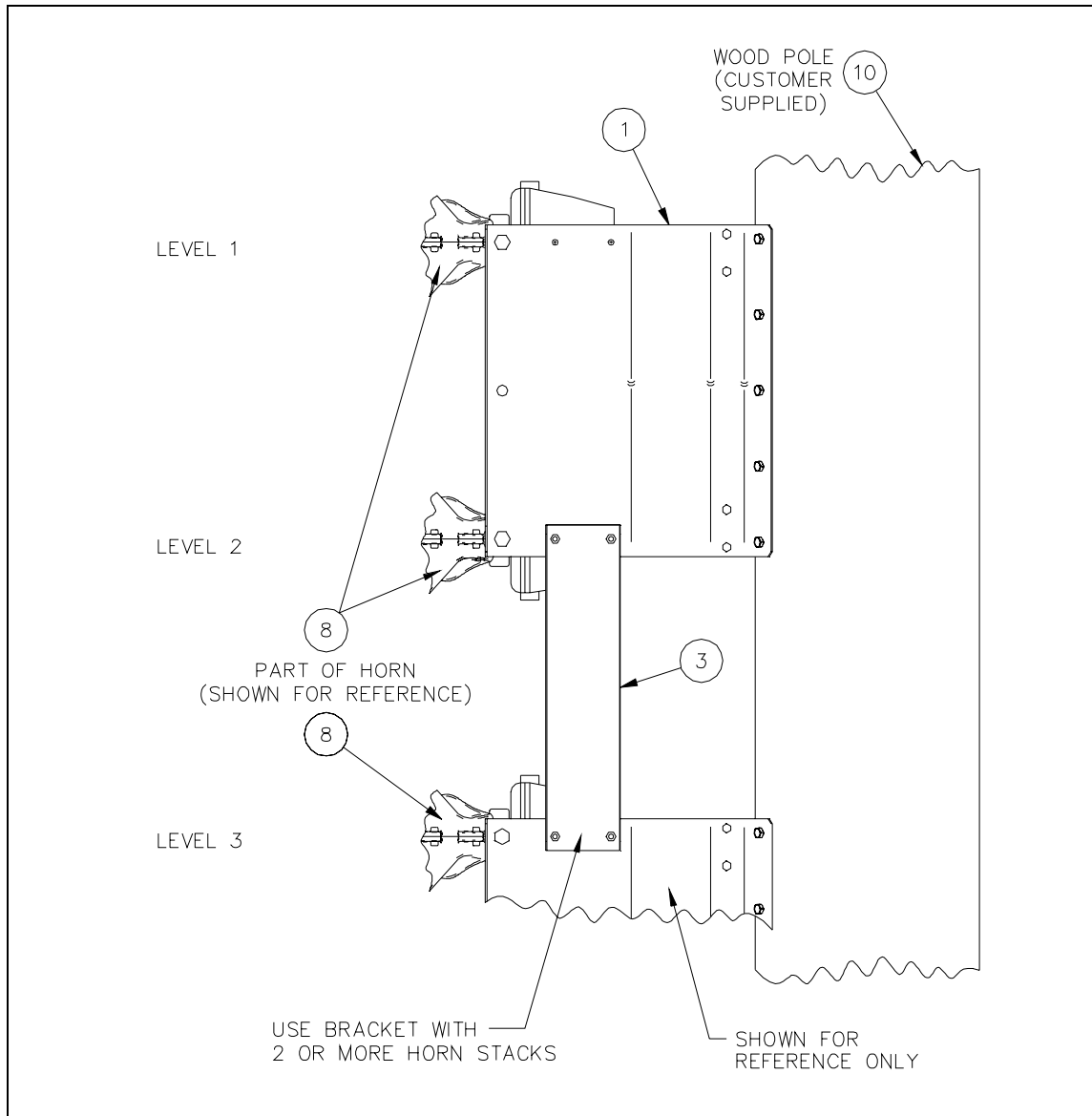


Figure 6. Showing the use of two single kits to stack three (or four) speaker horns.

Warranty

Equipment. GAI-Tronics warrants for a period of one (1) year from the date of shipment, that any GAI-Tronics equipment supplied hereunder shall be free of defects in material and workmanship, shall comply with the then-current product specifications and product literature, and if applicable, shall be fit for the purpose specified in the agreed-upon quotation or proposal document. If (a) Seller's goods prove to be defective in workmanship and/or material under normal and proper usage, or unfit for the purpose specified and agreed upon, and (b) Buyer's claim is made within the warranty period set forth above, Buyer may return such goods to GAI-Tronics' nearest depot repair facility, freight prepaid, at which time they will be repaired or replaced, at Seller's option, without charge to Buyer. Repair or replacement shall be Buyer's sole and exclusive remedy. The warranty period on any repaired or replacement equipment shall be the greater of the ninety (90) day repair warranty or one (1) year from the date the original equipment was shipped. In no event shall GAI-Tronics warranty obligations with respect to equipment exceed 100% of the total cost of the equipment supplied hereunder. Buyer may also be entitled to the manufacturer's warranty on any third-party goods supplied by GAI-Tronics hereunder. The applicability of any such third-party warranty will be determined by GAI-Tronics.

Services. Any services GAI-Tronics provides hereunder, whether directly or through subcontractors, shall be performed in accordance with the standard of care with which such services are normally provided in the industry. If the services fail to meet the applicable industry standard, GAI-Tronics will re-perform such services at no cost to buyer to correct said deficiency to Company's satisfaction provided any and all issues are identified prior to the demobilization of the Contractor's personnel from the work site. Re-performance of services shall be Buyer's sole and exclusive remedy, and in no event shall GAI-Tronics warranty obligations with respect to services exceed 100% of the total cost of the services provided hereunder.

Warranty Periods. Every claim by Buyer alleging a defect in the goods and/or services provided hereunder shall be deemed waived unless such claim is made in writing within the applicable warranty periods as set forth above. Provided, however, that if the defect complained of is latent and not discoverable within the above warranty periods, every claim arising on account of such latent defect shall be deemed waived unless it is made in writing within a reasonable time after such latent defect is or should have been discovered by Buyer.

Limitations / Exclusions. The warranties herein shall not apply to, and GAI-Tronics shall not be responsible for, any damage to the goods or failure of the services supplied hereunder, to the extent caused by Buyer's neglect, failure to follow operational and maintenance procedures provided with the equipment, or the use of technicians not specifically authorized by GAI-Tronics to maintain or service the equipment. **THE WARRANTIES AND REMEDIES CONTAINED HEREIN ARE IN LIEU OF AND EXCLUDE ALL OTHER WARRANTIES AND REMEDIES, WHETHER EXPRESS OR IMPLIED BY OPERATION OF LAW OR OTHERWISE, INCLUDING ANY WARRANTIES OF MERCHANTABILITY OR FITNESS FOR A PARTICULAR PURPOSE.**

Return Policy

If the equipment requires service, contact your Regional Service Center for a return authorization number (RA#). Equipment should be shipped prepaid to GAI-Tronics with a return authorization number and a purchase order number. If the equipment is under warranty, repairs or a replacement will be made in accordance with the warranty policy set forth above. Please include a written explanation of all defects to assist our technicians in their troubleshooting efforts.

Call 800-492-1212 (inside the USA) or 610-777-1374 (outside the USA) for help identifying the Regional Service Center closest to you.