



GAI-TRONICS® CORPORATION  
A HUBBELL COMPANY

# Door Handle Replacement Kit

MODEL 12504-004

## Confidentiality Notice

This manual is provided solely as an operational, installation, and maintenance guide and contains sensitive business and technical information that is confidential and proprietary to GAI-Tronics. GAI-Tronics retains all intellectual property and other rights in or to the information contained herein, and such information may only be used in connection with the operation of your GAI-Tronics product or system. This manual may not be disclosed in any form, in whole or in part, directly or indirectly, to any third party.

## General Information

This kit provides the repair procedure for the following weatherproof enclosure models:

- 473-001
- 7335-002
- 733-001
- 10444-003
- 7335-004
- 733-002
- 473-002
- 7335-001
- 733-006
- 7335-006

This kit includes the following components:

Qty	Description	Item Number
1	Handle	1
1	Handle shaft, stainless steel	2
1	Flat washer, stainless steel, 0.281 I.D. × 0.500 O.D. × 0.063 thick (inches)	3
1	Torsion spring, stainless steel	4
1	Roll pin, stainless steel (0.125-inch dia. × 1.00-inch long)	5
1	O-ring	6

## Installation

### Removing the Old Handle

1. Knock the existing roll pin entirely out of the handle and the handle shaft.
2. Remove the handle from the shaft. Unhook the torsion spring from the retaining boss on the inside of the door. Remove the shaft, the spring, and the flat washer from the door, and discard all the pieces removed from the door.

## Installing the New Handle

1. Engage the looped arm of the torsion spring on the retaining boss on the inside of the door while installing the spring over the handle shaft boss on the inside of the door.  
New enclosures have an elbow-shaped retaining boss in which the looped arm is slid over and down on the boss.  
Older enclosures have a straight boss. After the looped arm is installed on the straight boss, apply heat with a soldering iron to melt the top of the boss to secure the spring arm as shown in Figure 3.
2. Install the handle shaft through the flat washer and into the handle shaft boss as shown in Figure 1.  
Make sure the flat washer is between the top of the handle shaft boss and the straight arm of the spring as shown in Figure 2.
3. Install the O-ring onto the handle shaft on the front side of the door.

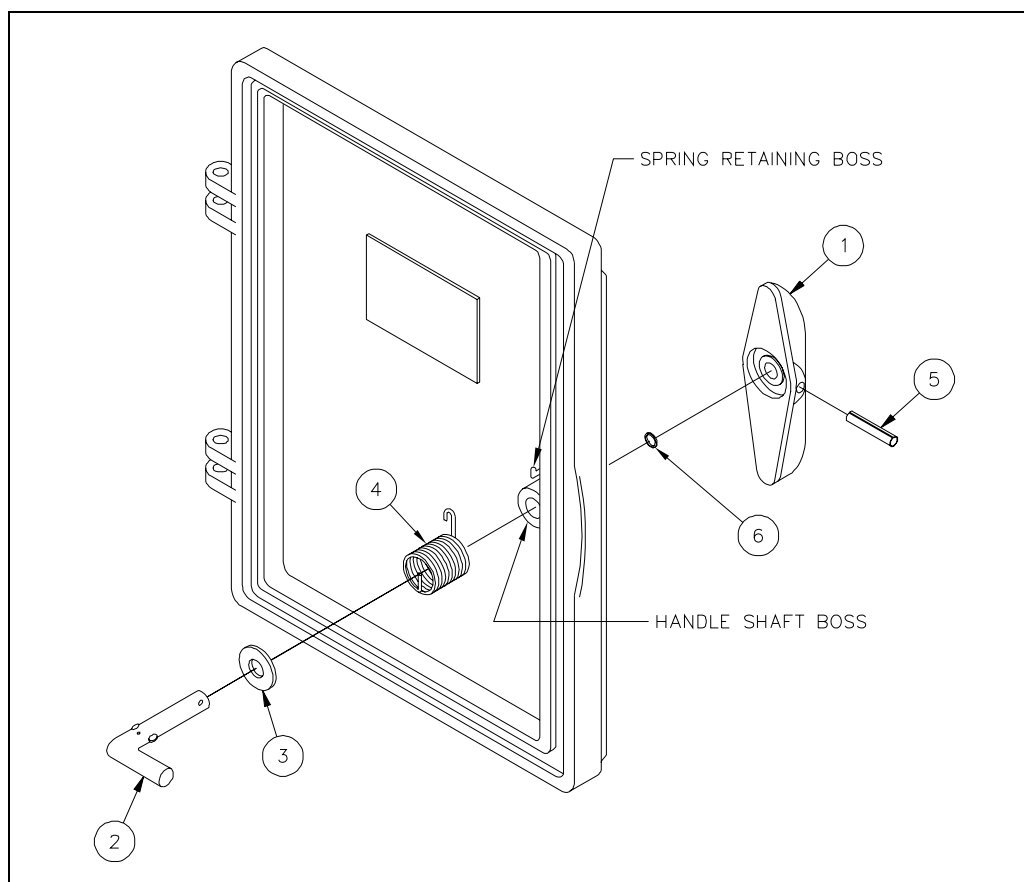


Figure 1.

4. Position the handle of the shaft on the front of the door with the longer rib of the handle towards the bottom of the door. Orient the shaft so that the latching leg of the shaft on the inside of the door is positioned horizontally and pointing toward latch side of the door as shown in Figure 1. Align the holes in the handle and the shaft. Install the roll pin through the handle and into the shaft hole so that the amount of roll pin on each side of the shaft is approximately the same and does not protrude outside the handle.

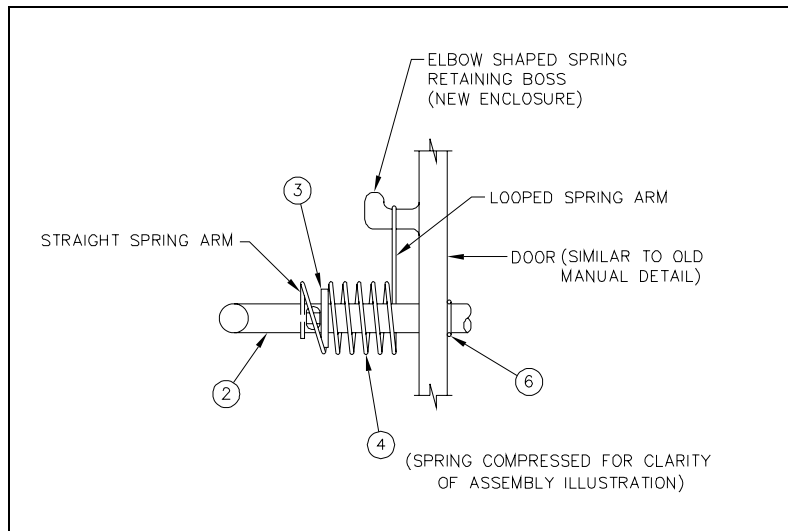


Figure 2.

5. On the inside of the door, rotate the straight arm of the torsion spring counterclockwise 180° prior to installing it into the hole in the handle shaft. This should be done while maintaining the shaft position mentioned in Step 3.
6. Check the free rotation of the handle by rotating the handle to the locked position and releasing it. The handle should rotate freely (spring back) to the unlocked position against the stop boss on the front of the door.

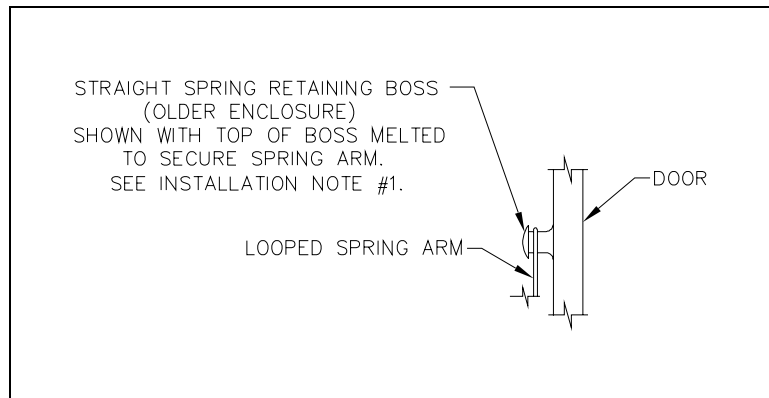


Figure 3.

# Warranty

---

Equipment. GAI-Tronics warrants for a period of one (1) year from the date of shipment, that any GAI-Tronics equipment supplied hereunder shall be free of defects in material and workmanship, shall comply with the then-current product specifications and product literature, and if applicable, shall be fit for the purpose specified in the agreed-upon quotation or proposal document. If (a) Seller's goods prove to be defective in workmanship and/or material under normal and proper usage, or unfit for the purpose specified and agreed upon, and (b) Buyer's claim is made within the warranty period set forth above, Buyer may return such goods to GAI-Tronics' nearest depot repair facility, freight prepaid, at which time they will be repaired or replaced, at Seller's option, without charge to Buyer. Repair or replacement shall be Buyer's sole and exclusive remedy. The warranty period on any repaired or replacement equipment shall be the greater of the ninety (90) day repair warranty or one (1) year from the date the original equipment was shipped. In no event shall GAI-Tronics warranty obligations with respect to equipment exceed 100% of the total cost of the equipment supplied hereunder. Buyer may also be entitled to the manufacturer's warranty on any third-party goods supplied by GAI-Tronics hereunder. The applicability of any such third-party warranty will be determined by GAI-Tronics.

Services. Any services GAI-Tronics provides hereunder, whether directly or through subcontractors, shall be performed in accordance with the standard of care with which such services are normally provided in the industry. If the services fail to meet the applicable industry standard, GAI-Tronics will re-perform such services at no cost to buyer to correct said deficiency to Company's satisfaction provided any and all issues are identified prior to the demobilization of the Contractor's personnel from the work site. Re-performance of services shall be Buyer's sole and exclusive remedy, and in no event shall GAI-Tronics warranty obligations with respect to services exceed 100% of the total cost of the services provided hereunder.

Warranty Periods. Every claim by Buyer alleging a defect in the goods and/or services provided hereunder shall be deemed waived unless such claim is made in writing within the applicable warranty periods as set forth above. Provided, however, that if the defect complained of is latent and not discoverable within the above warranty periods, every claim arising on account of such latent defect shall be deemed waived unless it is made in writing within a reasonable time after such latent defect is or should have been discovered by Buyer.

Limitations / Exclusions. The warranties herein shall not apply to, and GAI-Tronics shall not be responsible for, any damage to the goods or failure of the services supplied hereunder, to the extent caused by Buyer's neglect, failure to follow operational and maintenance procedures provided with the equipment, or the use of technicians not specifically authorized by GAI-Tronics to maintain or service the equipment. **THE WARRANTIES AND REMEDIES CONTAINED HEREIN ARE IN LIEU OF AND EXCLUDE ALL OTHER WARRANTIES AND REMEDIES, WHETHER EXPRESS OR IMPLIED BY OPERATION OF LAW OR OTHERWISE, INCLUDING ANY WARRANTIES OF MERCHANTABILITY OR FITNESS FOR A PARTICULAR PURPOSE.**

## Return Policy

---

If the equipment requires service, contact your Regional Service Center for a return authorization number (RA#). Equipment should be shipped prepaid to GAI-Tronics with a return authorization number and a purchase order number. If the equipment is under warranty, repairs or a replacement will be made in accordance with the warranty policy set forth above. Please include a written explanation of all defects to assist our technicians in their troubleshooting efforts.

Call 800-492-1212 (inside the USA) or 610-777-1374 (outside the USA) for help identifying the Regional Service Center closest to you.