



GAI-TRONICS® CORPORATION
A HUBBELL COMPANY

Model 785-002 24 V DC Outdoor Explosion-proof Handset Stations

General Information

This data sheet applies to the Model 785-002 24 V DC Explosion-proof Outdoor Single Party Handset Station. This Page/Party® handset station provides safe and clear communications in hazardous areas, even in high-noise situations. It is NRTL-certified for use in the US and Canada for the following areas: Class I, Div. 1, Groups C and D; Class II, Div. 1, Groups E, F, and G; and Class III, Div. 1.

The Model 785-002 includes a front-panel push button for paging, a 6-foot PVC coil cord, a noise-canceling microphone for reduced transmission of background noise, and sidetone circuitry. An electrical safety barrier mounted inside the housing creates an intrinsically-safe handset. It also includes a weatherproof nonmetallic housing with a front door.

Specifications

Power input..... 21-29 V dc; 1.2 A (optional negative ground or floating)
 Dimensions 14.6 H × 10.9 W × 10.5 D inches; (371 × 276 × 226 mm)
 Temperature range..... -22 °F to +158 °F (-30 °C to +70 °C)
 Shipping weight 35 lbs. (15.9 kg)

Handset

Material/finish..... Gray ABS
 Microphone..... 10 ohms, noise-canceling, dynamic
 Receiver..... 150 ohms, dynamic
 Cable Retractable with sealed elbow, 6-foot extended length

Handset Amplifier

Output..... 1.5 V nominal into 33-ohm load
 Gain..... 55 dB, adjustable
 Frequency response 250-4000 Hz, +0/-3 dB ref @ 1 kHz (1.5 V_{RMS}) output
 Distortion..... 1.5% maximum THD @ 1 kHz
 Preset adjustments..... Microphone gain, sidetone adjustment, receiver volume

Speaker Amplifier

Output..... @ 25 V dc: 12 watt minimum into 8- or 16-ohm load
 Voltage gain..... 20 dB minimum, adjustable
 Frequency response 250-4,000 Hz; +0/-3 dB ref @ 1 kHz
 Distortion..... 1% maximum THD @ 1 kHz/12 watts
 Input impedance..... 50,000 ohm, minimum @ 1 kHz
 Controls, preset adjustments Speaker volume

Explosion-proof Enclosure

Material/finish..... No. 359.2 Aluminum alloy
 Mounting Wall or column, four 3/8-inch slotted mounting feet
 Connections Internal screw-type barrier terminal blocks
 Conduit entry Standard hole size top: 3/4 NPT; standard size hole bottom 1½-inch NPT

Weatherproof Enclosure

Material/finish..... Glass-reinforced polyester
 Mounting Wall or column
 Environmental rating..... NEMA 4X

Approvals

NRTL certified for use in US and Canada.....Class I, Div. 1, Groups C and D
 Class II, Div. 1, Groups E, F, and G
 Class III, Div. 1

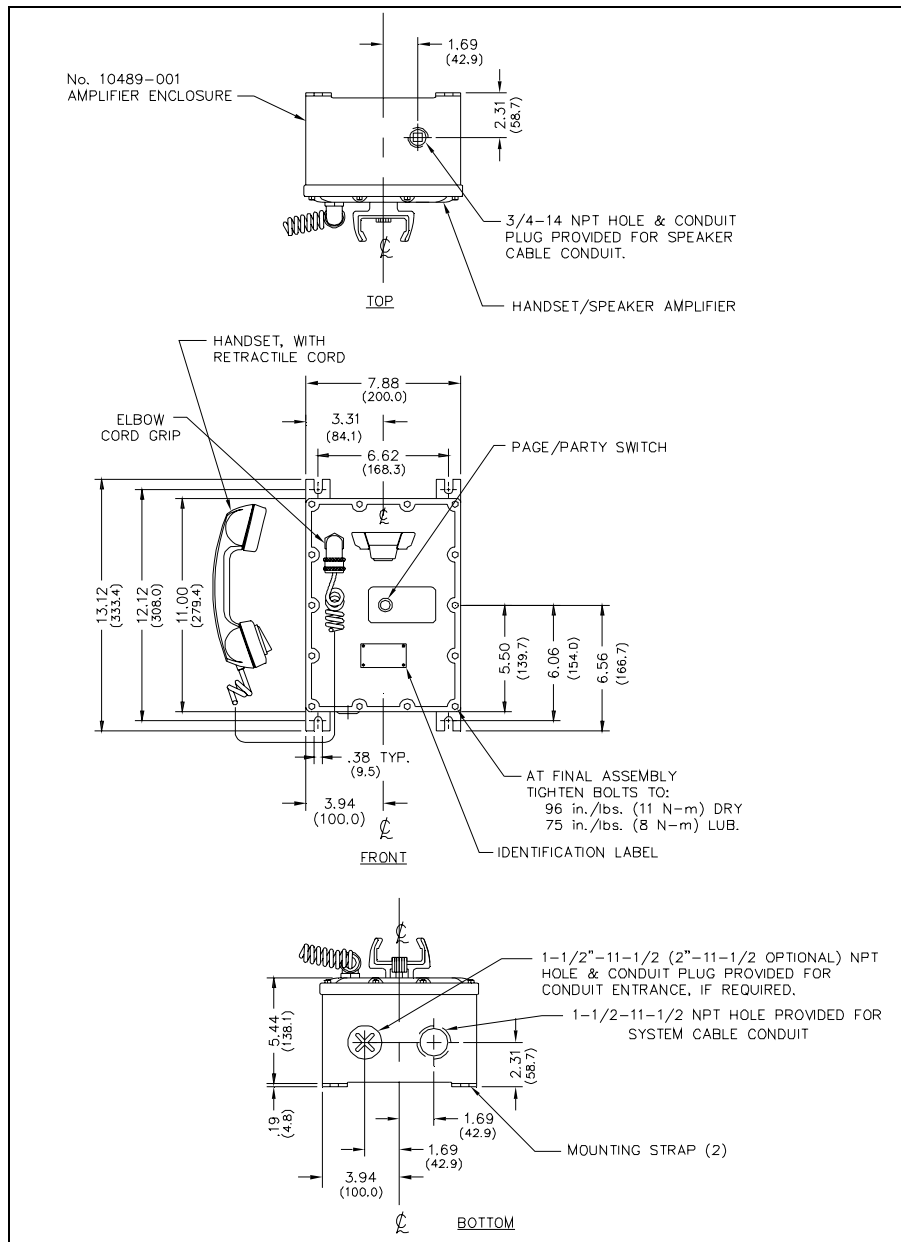


Figure 1. Mounting details

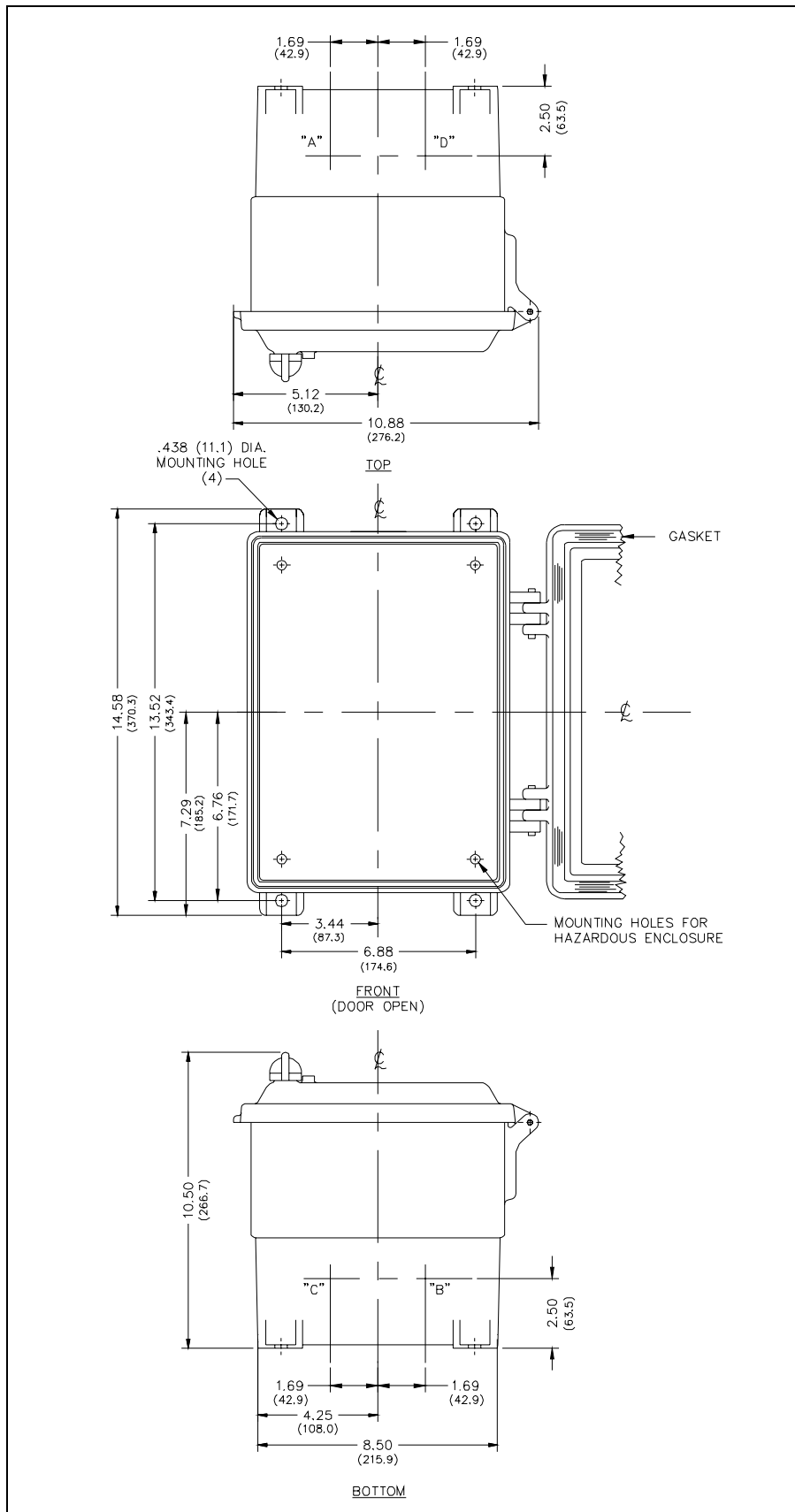


Figure 2. Mounting details for the outdoor enclosure