



GAI-TRONICS® CORPORATION
A HUBBELL COMPANY

Model 732-102 Single-Party 24 V DC Aluminum Amplifier Enclosure

General Information

This data sheet applies to the GAI-Tronics Model 732-102 Weatherproof 24 V dc Single Party Aluminum Amplifier Enclosure.

This enclosure is intended for 24 V dc input within a single-party 700 Series Page/Party® system. The enclosure is constructed of cast aluminum alloy, making it extremely weatherproof and corrosion-resistant. It is equipped with terminal strips for connecting system cable. The 701 and 751 Series Amplifiers mate directly with this enclosure.

Specifications

Model 732-102 Aluminum 24 V DC Single Party Amplifier Enclosure

Construction/Finish.....	Sand-cast aluminum alloy, cam-style latch, hinged door with gasket; gray baked enamel
Mounting.....	Wall, column, or pole (mounting kit required for pole mount), four 7/16-inch mounting holes
Connections	Internal screw-type barrier terminal blocks
External controls	Rotary selector switch
Dimensions	14.9 H × 10.8 W × 9.6 D inches (378 × 274 × 244 mm)
Shipping weight	20.4 lbs. (9.3 kg)

Approvals

NRTL Listed for USA and Canada.....	Class I, Div. 2, Groups A, B, C, D; Class II, Div. 2, Groups F and G; Class III, Div. 2
CE Mark	
Outdoor environmental rating.....	Type 3R

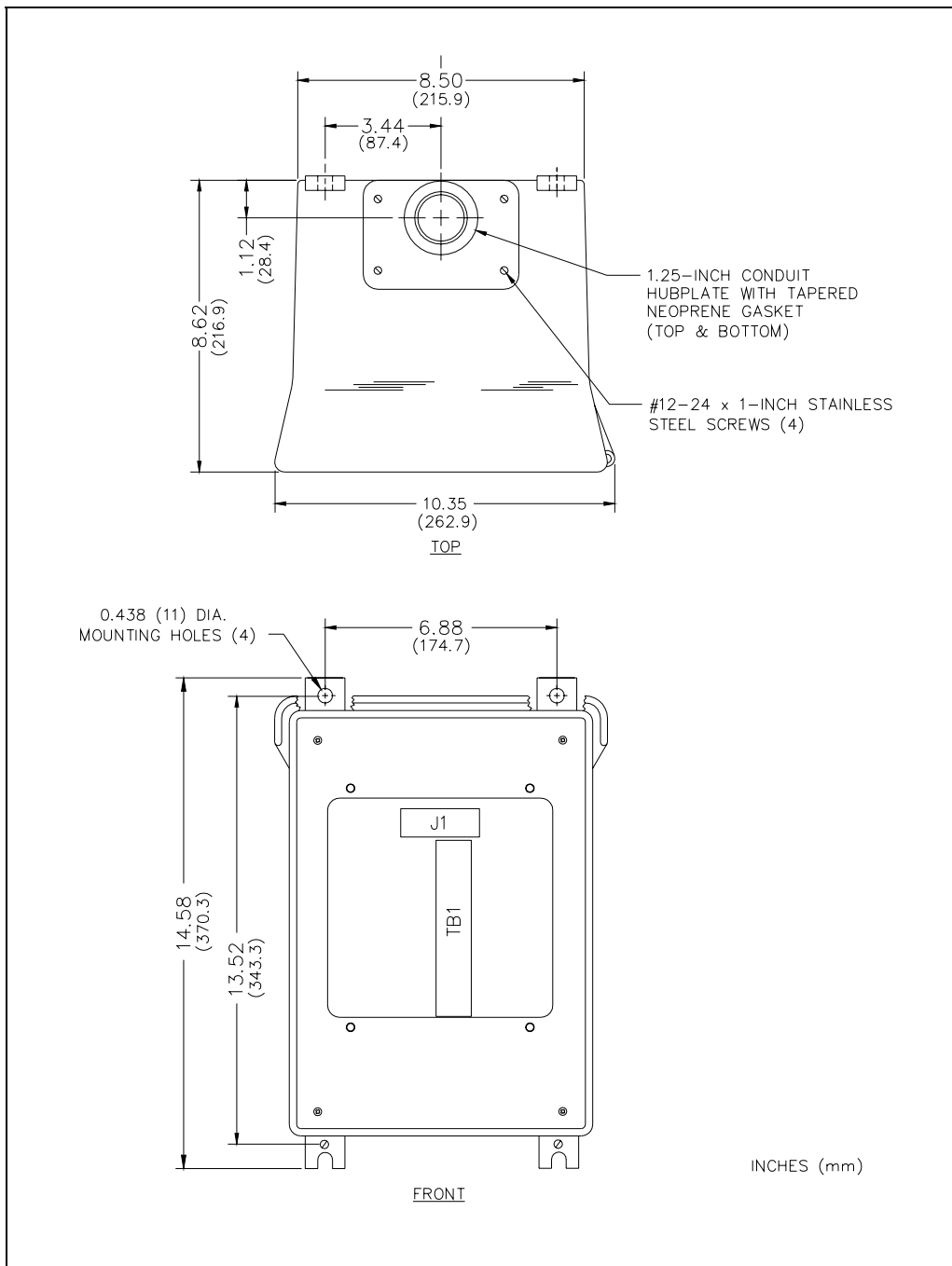


Figure 1. Model 732-102 Single Party Aluminum Amplifier Enclosure Mounting Details