



**GAI-TRONICS® CORPORATION**  
A HUBBELL COMPANY

# Model 7165-102

## Multi-Party Flush-Mount Subset

---

### General Information

This data sheet applies to the Model 7165-102 Multi-Party Flush-Mount Subset, which is intended for use in GAI-Tronics Page/Party® and SmartSeries systems. The remote subset includes a pressbar handset, a handset cradle, and a five-party rotary selector switch.

The Model 7165-102 Multi-Party Flush-Mount Subset must be installed with a certified remote subset amplifier and a certified Model 7245 Enclosure for proper operation. The subset must be mounted in an indoor location within eight feet of the enclosure.

### Specifications

Construction/finish.....	16-gauge cold-rolled steel/gray polyurethane enamel
Handset microphone .....	Dynamic, noise-canceling, 10 ohms
Receiver .....	Dynamic, 150 ohms, hearing aid compatible
Cable .....	Retractable, 6-foot extended
Material .....	Gray ABS
External controls .....	Handset pressbar for paging; rotary selector switch
Mounting.....	Flush-mount or similar location; four 0.25-inch mounting holes
Temperature range .....	-22 °F to 158 °F (-30 °C to +70 °C)
Connections .....	8-foot cable with connector, hard-wired to subset
Front panel dimensions .....	6.00 H × 6.00 W inches (152.4 × 152.4 mm)
Behind panel .....	2.5 inches (63.5 mm)
Cutout dimensions .....	5.00 W × 4.88 H × 2.5 D inches (127 × 124 × 63.5 mm)
Shipping weight .....	3.9 lbs. (1.77 kg)
Approvals	
NRTL certified for use in US and Canada .....	Class I, Div. 2, Groups A, B, C, D, when connected to a certified GAI-Tronics Model 7245 Amplifier Enclosure using a certified GAI-Tronics Model 723 Amplifier

CE Mark

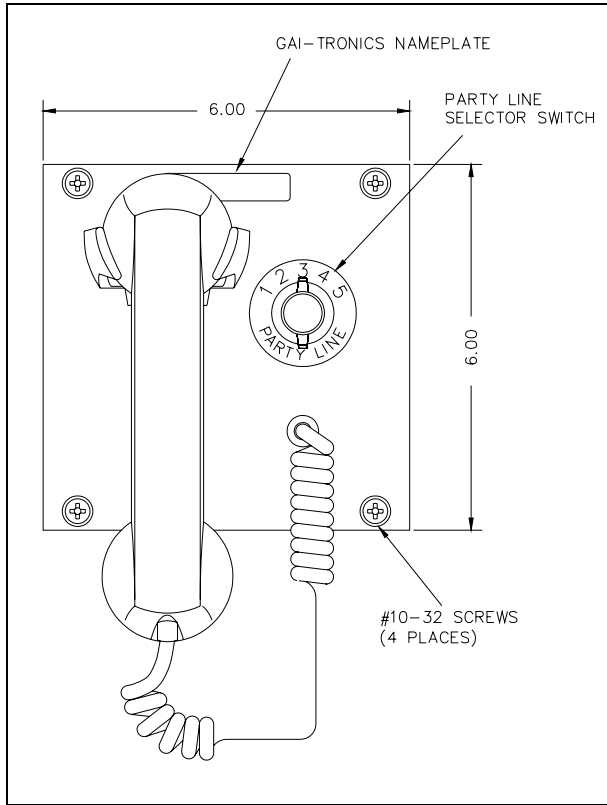


Figure 1. Model 7165-102 Flush-Mount Subset Outline

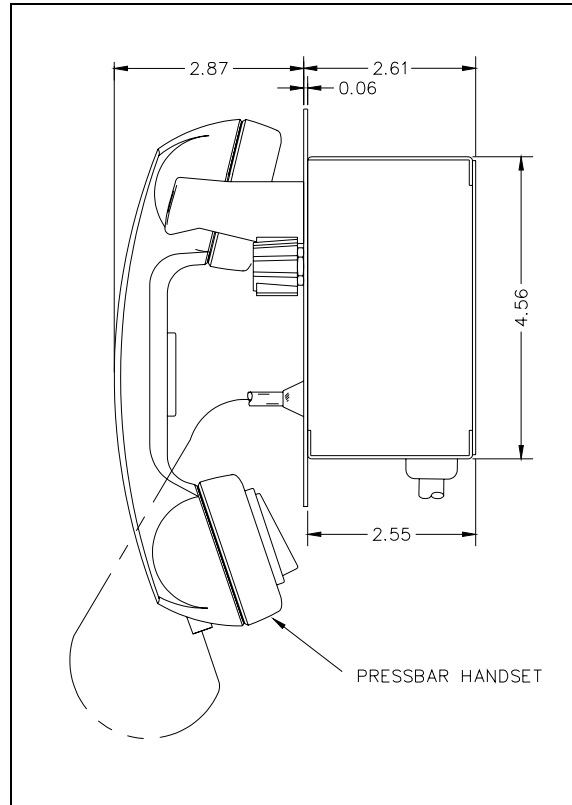


Figure 2. Model 7165-102 Flush-Mount Subset Side View