



GAI-TRONICS® CORPORATION
A HUBBELL COMPANY

Model 716-102

Single Party Flush-Mount Subset

General Information

This data sheet applies to the Model 716-102 Single Party Flush-Mount Subset, which is intended for use in GAI-Tronics Page/Party® and SmartSeries systems. The remote subset includes a pressbar handset, and a handset cradle.

The Model 716-102 Single Party Flush-Mount Subset must be installed with a certified remote subset amplifier and a certified Model 7245 Enclosure for proper operation. The subset must be mounted in an indoor location within eight feet of the enclosure.

Specifications

Construction/finish.....	16-gauge cold-rolled steel/gray polyurethane enamel
Handset microphone	Dynamic, noise-canceling, 10 ohms
Receiver	Dynamic, 150 ohms, hearing aid compatible
Cable	Retractable, 6-foot extended
Material	Gray ABS
External controls	Handset pressbar for paging
Mounting.....	Flush-mount or similar location; four 0.25-inch mounting holes
Temperature range	-22 °F to 158 °F (-30 °C to +70 °C)
Connections	8-foot cable with connector, hard-wired to subset
Front panel dimensions	6.00 H × 3.5 W inches (152.4 × 88.9 mm)
Behind panel	2.5 inches (63.5 mm)
Cutout dimensions	2.75 W × 5.00 H × 2.5 D inches (69.9 × 127 × 63.5 mm)
Shipping weight	3.6 lbs. (1.63 kg)
Approvals	
NRTL certified for use in US and Canada.....	Class I, Div. 2, Groups A, B, C, D, when connected to a certified GAI-Tronics Model 7245 Amplifier Enclosure using a certified GAI-Tronics Model 723 Amplifier

CE Mark

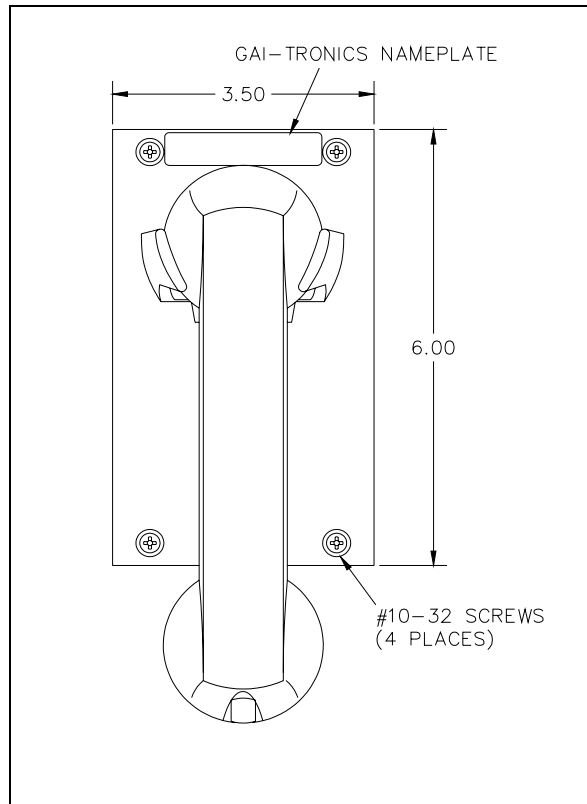


Figure 1. Model 716-102 Single Party Flush-Mount Subset Outline