



GAI-TRONICS® CORPORATION  
A HUBBELL COMPANY

# Model 703-006 Multi-Party Amplifier Enclosure

## General Information

This data sheet applies to the Model 703-006 Multi-Party Amplifier Enclosure, which is a component of the 700 Series Page/Party® system. This enclosure is configured for multi-party systems and can accommodate conversations on up to five party lines simultaneously.

The Model 703-006 is constructed of fabricated steel and is extremely weatherproof and corrosion-resistant. It is equipped with terminal strips for connecting system cable. The Page/Party® Series amplifiers mate directly with this enclosure. For continued IP 66 protection, torque setting for securing the amplifier to the enclosure should be 10 to 12 in-lbs. or 1.13 to 1.36 n-m.

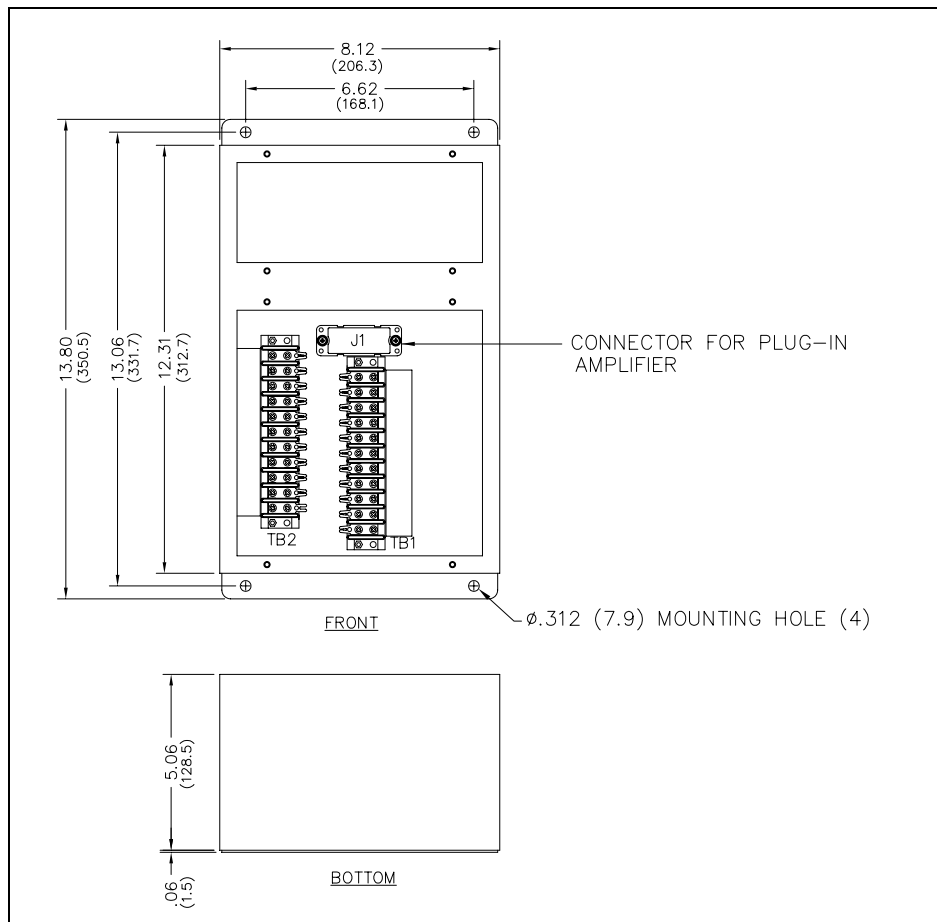


Figure 1. Model 703-006 Multi-Party Enclosure

# Specifications

Construction/Finish..... 16-gauge cold-rolled steel; gray polyurethane  
 Mounting..... Wall or column, four 0.31-inch (7.8 mm) mounting holes  
 Connections ..... Internal screw-type barrier terminal blocks  
 External controls ..... Rotary selector switch  
 Dimensions ..... 13.8 H × 8.1 W × 5.1 D inches (350 × 206 × 129 mm)  
 Temperature, operating and storage.....(-22° F to +158° F) -30° C to +70° C  
 Shipping weight ..... 7.5 lbs. (3.4 kg)

## Approvals

Enclosure Model 703-006..... II 3G EEx nA IIC T6  
 Temp -30 to 70 °C  
 Location Zone 2  
 IP 66 when installed with a Model 701-305, 751-005, 701-905, or 751-905 Amplifier

NRTL listed .....Suitable for use in hazardous locations Class I, Div. 2, Groups A, B, C, D;  
 Class II, Div. 2, Groups F, G;  
 Class III, Div. 2  
 when used with listed 701-305, 701-905, 751-005 or 751-905 Amplifier  
 Enclosure environmental rating: Type 13

## CE Mark

Certificate No. DEMKO 04 ATEX 0424225X  
 Notified Body Id No. 0539  
 UL International DEMKO A/S  
 Lyskear 8  
 DK-2730 Herlev  
 Denmark