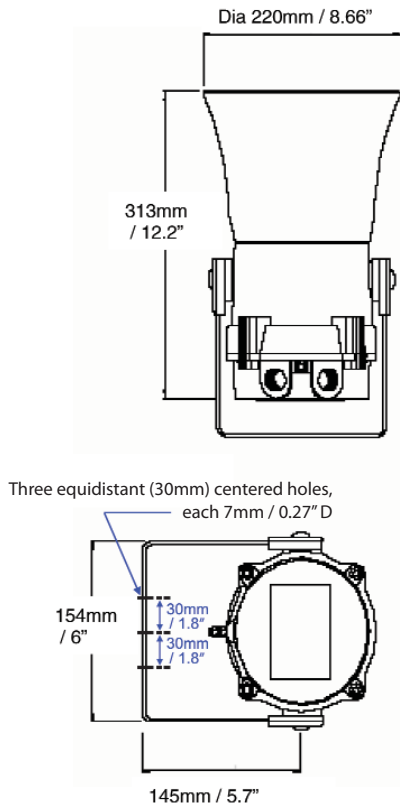


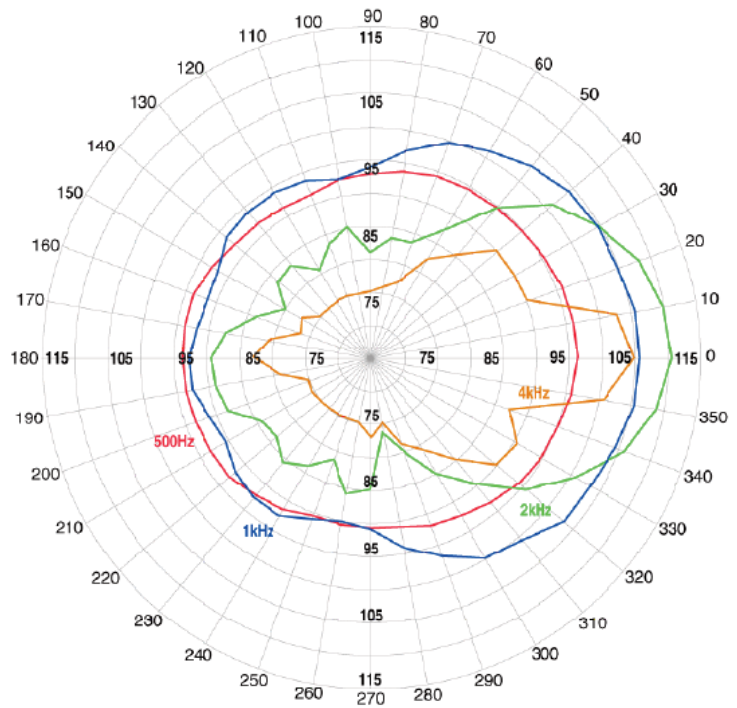


# 25 watt ATEX Speakers | 13381-001 to 13381-004

**Dimensional Drawing**



**Polar Plot**



Pub. 081002 Rev 10-2010



**GAI-Tronics® - USA (Corporate) Toll Free: 1 (800) 492-1212 Tel: (610) 777-1374 Fax: (610) 796-5954 [www.gai-tronics.com](http://www.gai-tronics.com)**  
**GAI-Tronics® United Kingdom Tel: +44 (0)1283 500500 Fax: +44 (0)1283 500400 [www.gai-tronics.co.uk](http://www.gai-tronics.co.uk)**  
**GAI-Tronics® S.r.l - Italy Tel: +39 02 48601460 Fax: +39 02 93663110 [www.gai-tronics.it](http://www.gai-tronics.it)**  
**GAI-Tronics® - Malaysia Tel: +60-3-8945-4035 / 8945-7348 Fax: +60-3-8945-4675 [www.gai-tronics.com](http://www.gai-tronics.com)**  
**GAI-Tronics® Austdac - Australia Tel: 011-61-28-851-5000 Fax: 011-61-29-899-2490 [www.austdac.com.au](http://www.austdac.com.au)**

Quality Management System Certified by DNV - ISO 9001:2008

The policy of GAI-Tronics is one of continuous improvement; therefore the company reserves the right to change specifications without notice.